



AVK SURFACE BOX PERA HD-GG

80/40
000



Fixed height
Surface box for distribution valves
Standard inscription plate: WATER



Types

- Pera HD-GG
 - Square cast iron lid
 - Square top surface box



Features

- Lightweight, maintenance free and noiseless design
- 100% recyclable and less use of energy resources compared to traditional materials
- Ribs in housing ensure optimal fixation in road foundation
- Selected materials for housing and lid ensure easy opening at all times
- Various colours and lid inscriptions possible
- Available as lockable version making the surface box tamperproof
- Heat resistant to max. 160 °C

Standards

- EN124 test method

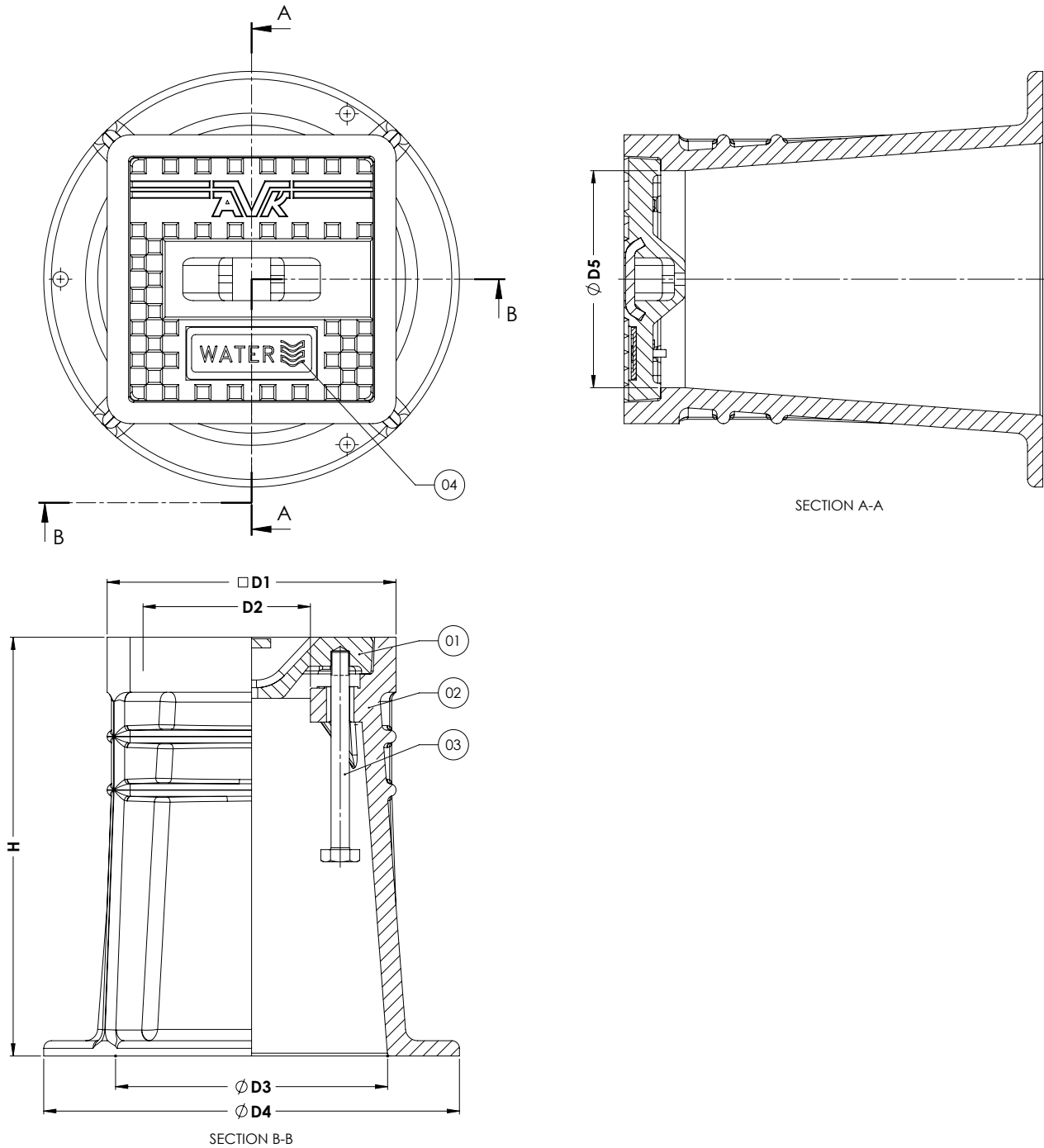
Accessories

- Support tile I
- Top frame for gate valve
- Transition piece I



9.9 kg
CO2 eq.

Expect... **AVR**



Component list

1. Lid	EN-GJL-200
2. Housing	HDPE
3. Bolt M12x130mm hexagon head	A2-70
4. Inscription plate	PA

Reference nos. and nominal dimensions

AVK ref. nos.	D1 mm	D2 mm	D3 mm	D4 mm	D5 mm	H mm	Weight box in kg	Weight lid in kg	Total weight in kg
80-40-000XXXX	189	110	178	272	142	274	2.4	3.2	5.6