



AVK CERTUS PE100 BALL VALVES

Fusible ends / SDR11 / GAS MOP10 - WATER PN16 / Full bore*

Valve sizes OD20 up to OD180

85/30

002

HDPE/BV

The AVK CERTUS universal ball valve is for use in the isolation of water & gas on domestic, commercial and industrial premises. The ends are designed for butt-/electro-fusion making the valve an integral part of the fully welded leak-free pipe system.

The valve is designed, manufactured and approved to worldwide leading standards.

Features

- Seat, ball and grease combination ensuring low operating torques and avoids sticking over time
- Grease with minimal wearing off from the lubricated surfaces for improved long term performance
- Easy mounting of all standardised spindles due to internal and external drive
- Overtorque protection and replaceable top cap under live conditions
- Available with double spigot length allowing for 2 electrofusion joints
- Traccoding (barcode) + AVIT (QR code) - asset management to record, track and identify where valves are located and ensure traceability at all times
- Seat compression accurately set during automated welding process

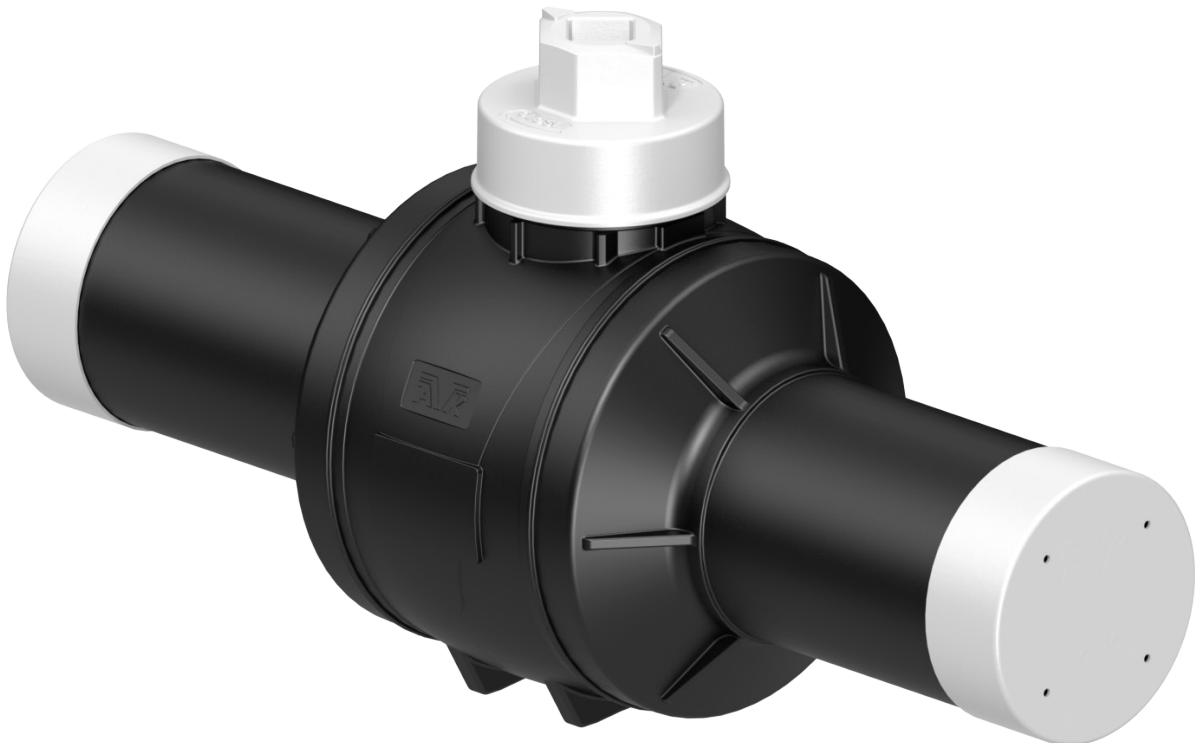
Tests/Approvals

EN1555-4, ISO4437-4, GIS/V7-2 and EN12201-4

Accessories/Options

- Support base (up to OD90)

* Sizes with full bore (ID = >80%): OD40, OD125, OD180
Sizes with clearway bore (ID = 100%): OD20, OD32, OD63, OD90, OD110, OD160



Expect... **AVR**

AVK CERTUS PE100 BALL VALVES

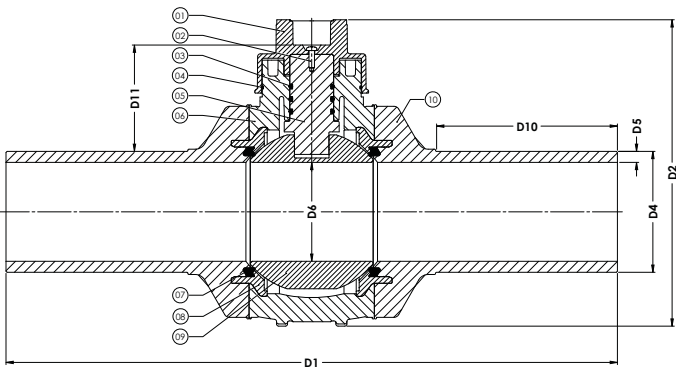
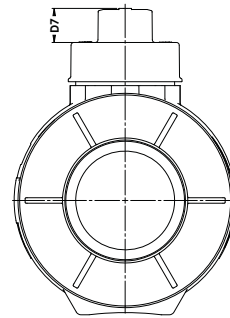
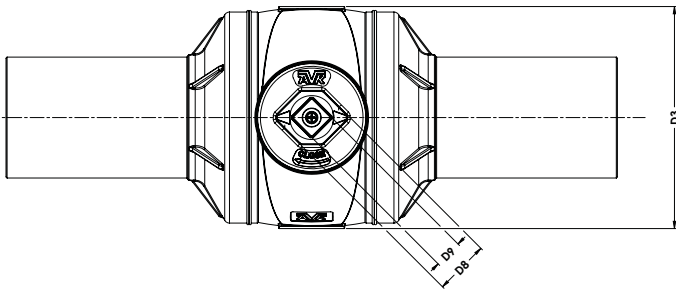
Fusible ends / SDR11 / GAS MOP10 - WATER PN16 / Full bore*

Valve sizes OD20 up to OD180

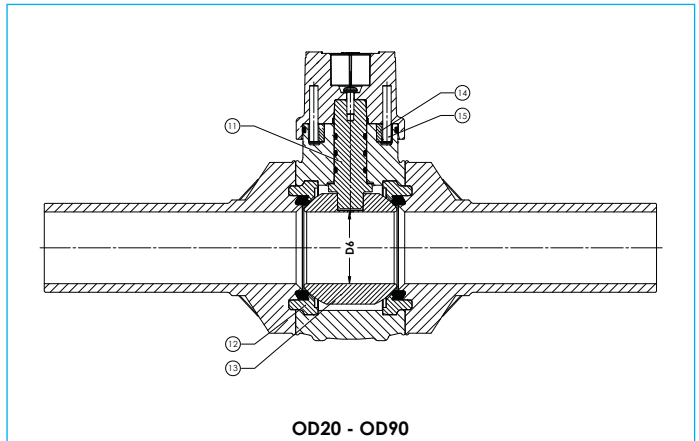
85/30

002

HDPE/BV



OD110 - OD180



OD20 - OD90

Component list

1. Topcap	PP-GF	9. Ball	POM
2. Screw	A4	10. Spigot	PE100
3. O-ring	NBR-70	11. Stem	PA
4. O-ring	NBR-70	12. Seat retainer	PP
5. Stem	POM	13. Ball	PP**
6. Body	PE100	14. Reinforcement ring	PA-GF
7. Ball seat	NBR-70	15. Cylindrical pin	A4
8. Seat retainer	PE100		

**POM ball available on request

Reference nos. and dimensions

AVK ref. nos.	Valve size mm	D1 mm SSL/DSL***	D2 mm	D3 mm	D4 mm	D5 mm	D6 mm	D7 mm	D8 mm	D9 mm	D10 mm SSL/DSL	D11 mm	Weight kg SSL/DSL
85-020-30	OD20/DN25	225 / 305	155	95	20	3.0	26	46	49.6 x 49.6	20 x 20	41 / 82	76	0.7 / 0.8
85-032-30	OD32/DN25	230 / 320	155	95	32	3.0	26	46	49.6 x 49.6	20 x 20	44 / 88	70	0.7 / 0.8
85-040-30	OD40/DN25	240 / 340	155	95	40	3.7	26	46	49.6 x 49.6	20 x 20	49 / 98	66	0.8 / 0.9
85-063-30	OD63/DN50	305 / 435	205	135	63	5.8	51	46	49.6 x 49.6	20 x 20	65 / 130	84	1.7 / 1.8
85-090-30	OD90/DN80	365 / 520	285	180	90	8.2	74	46	49.6 x 49.6	20 x 20	79 / 158	123	3.5 / 3.8
85-110-30	OD110/DN100	395 / 560	280	205	110	10.0	90	31	49.6 x 49.6	20 x 20	82 / 164	96	4.9 / 5.5
85-125-30	OD125/DN100	410 / 585	280	205	125	11.4	90	31	49.6 x 49.6	20 x 20	96 / 182	89	5.1 / 5.9
85-160-30	OD160/DN150	505 / 700	370	280	160	14.6	131	35	49.6 x 49.6	20 x 20	98 / 196	120	12.6 / 13.8
85-180-30	OD180/DN150	525 / 735	370	280	180	16.4	131	35	49.6 x 49.6	20 x 20	115 / 220	110	13.1 / 14.4

***Single spigot length / double spigot length