



**AVK MAGNUS PE100 BALL VALVES**  
Fusible ends / Minimum full bore on all body sizes  
Valve sizes OD25 up to OD180

**85/50**  
**002**  
**HDPE/BV**

The AVK MAGNUS universal ball valve is for use in the isolation of water & gas on domestic, commercial and industrial premises. The ends are designed for butt-/electro-fusion making the valve an integral part of the fully welded leak-free pipe system.  
The valve is designed, manufactured and approved to worldwide leading standards.

**Features**

- Robust design, suitable for most harsh environments
- Material selection body and spigot (PE100-RC) offering excellent resistance to crack propagation
- Seat, ball and grease combination ensuring low operating torques and avoids sticking over time
- Selected ball material offering good scratch resistance
- Grease with minimal wearing off from the lubricated surfaces for improved long term performance
- Easy mounting of all standardised spindles due to internal and external drive
- Overtorque protection and replaceable connector under live conditions
- Available with double spigot length allowing for 2 electrofusion joints
- Traccoding (barcode) + AVIT (QR code) - asset management to record, track and identify where valves are located and ensure traceability at all times
- Seat compression of large sealing surfaces precisely set via separate pre-assembly
- Flexible spindle shaft to ensure equal compression around the O-rings when loaded by internal pressure

**Tests/Approvals**

EN1555-4, ISO4437-4, GB15558.3 and EN12201-4

**Accessories/Options**

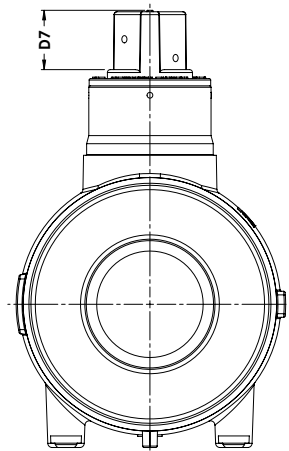
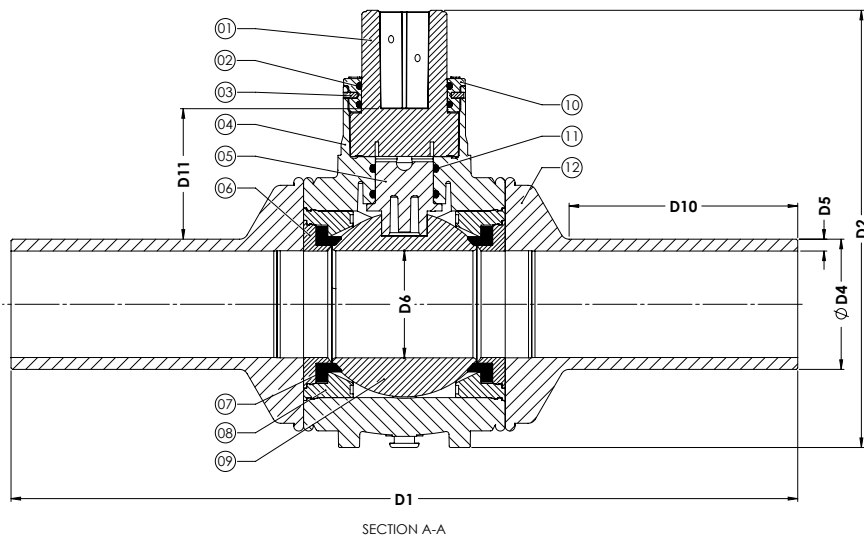
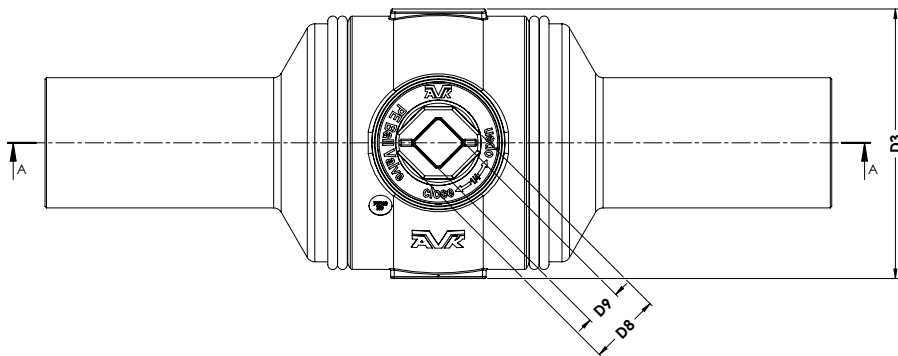
- Support base (up to OD90)
- Stem extension and purge points
- Lever



Expect... **AVR**

**AVK MAGNUS PE100 BALL VALVES**  
 Fusible ends / Minimum full bore on all body sizes  
 Valve sizes OD25 up to OD180

**85/50**  
**002**  
**HDPE/BV**



**Component list**

1. Connector	PA-GF	7. Ball seat	NBR-70
2. O-ring	NBR-70	8. Seat retainer	PE100-RC
3. Locking pin	PVC	9. Ball	POM
4. Body	PE100-RC	10. Bearing ring	PA
5. Stem	POM	11. O-ring	NBR-70
6. Support ring	PE100-RC	12. Spigot	PE100-RC

**Reference nos. and dimensions**

AVK ref. nos.	Valve size mm	D1 mm SSL/DSL*	D2 mm	D3 mm	D4 mm	D5 mm	D6 mm	D7 mm	D8 mm	D9 mm	D10 mm SSL/DSL*	D11 mm	Weight kg SSL/DSL*
85-025-50	OD25/DN25	230 / 310	190	90	25	3.0	25	35	49.6 x 49.6**	20.5 x 20.5	44 / 84	65	0.9 / 0.9
85-032-50	OD32/DN25	230 / 320	190	90	32	3.0	25	35	49.6 x 49.6**	20.5 x 20.5	46 / 90	62	0.9 / 0.9
85-040-50	OD40/DN32	240 / 340	205	100	40	3.7	32	35	49.6 x 49.6**	20.5 x 20.5	49 / 98	65	1.1 / 1.1
85-050-50	OD50/DN40	255 / 365	220	115	50	4.6	40	35	49.6 x 49.6**	20.5 x 20.5	56 / 111	65	1.3 / 1.4
85-063-50	OD63/DN50	315 / 440	255	140	63	5.8	50	40	49.6 x 49.6	25.5 x 25.5	65 / 128	80	2.4 / 2.5
85-090-50	OD90/DN80	385 / 545	300	185	90	8.2	74	40	49.6 x 49.6	25.5 x 25.5	79 / 158	90	4.7 / 5.0
85-110-50	OD110/DN100	420 / 585	320	205	110	10.0	86	40	49.6 x 49.6	25.5 x 25.5	84 / 165	90	6.2 / 6.7
85-125-50	OD125/DN100	420 / 595	320	205	125	11.4	86	40	49.6 x 49.6	25.5 x 25.5	89 / 176	80	6.5 / 7.2
85-160-50	OD160/DN150	515 / 710	405	285	160	14.6	120	40	49.6 x 49.6	25.5 x 25.5	98 / 196	105	15.1 / 16.3
85-180-50	OD180/DN150	515 / 725	405	285	180	16.4	120	40	49.6 x 49.6	25.5 x 25.5	105 / 210	95	15.6 / 17.3

\*Single spigot length / double spigot length  
 \*\*Provided with EN1555-4 adaptor  
 Above dimensions are subject to tolerances