



**AVK MAGNUS PE100 BALL VALVES**  
**Fusible ends / Minimum full bore on all body sizes**  
**Valve sizes OD63 up to OD180**

**85/50**  
**004**  
**HDPE/BV+SE**

The AVK MAGNUS universal ball valve is for use in the isolation of water & gas on domestic, commercial and industrial premises. The ends are designed for butt-/electro-fusion making the valve an integral part of the fully welded leak-free pipe system.  
The valve is designed, manufactured and approved to worldwide leading standards.

**Features**

- Robust design, suitable for most harsh environments
- Material selection body and spigot (PE100-RC) offering excellent resistance to crack propagation
- Seat, ball and grease combination ensuring low operating torques and avoids sticking over time
- Selected ball material offering good scratch resistance
- Grease with minimal wearing off from the lubricated surfaces for improved long term performance
- With stem extension
- White bearing ring for easy identification universal valve
- Traccoding (barcode) + AVIT (QR code) - asset management to record, track and identify where valves are located and ensure traceability at all times
- Seat compression of large sealing surfaces precisely set via separate pre-assembly
- Flexible spindle shaft to ensure equal compression around the O-rings when loaded by internal pressure
- Fully automated socket welding of stem extension for optimal reliability

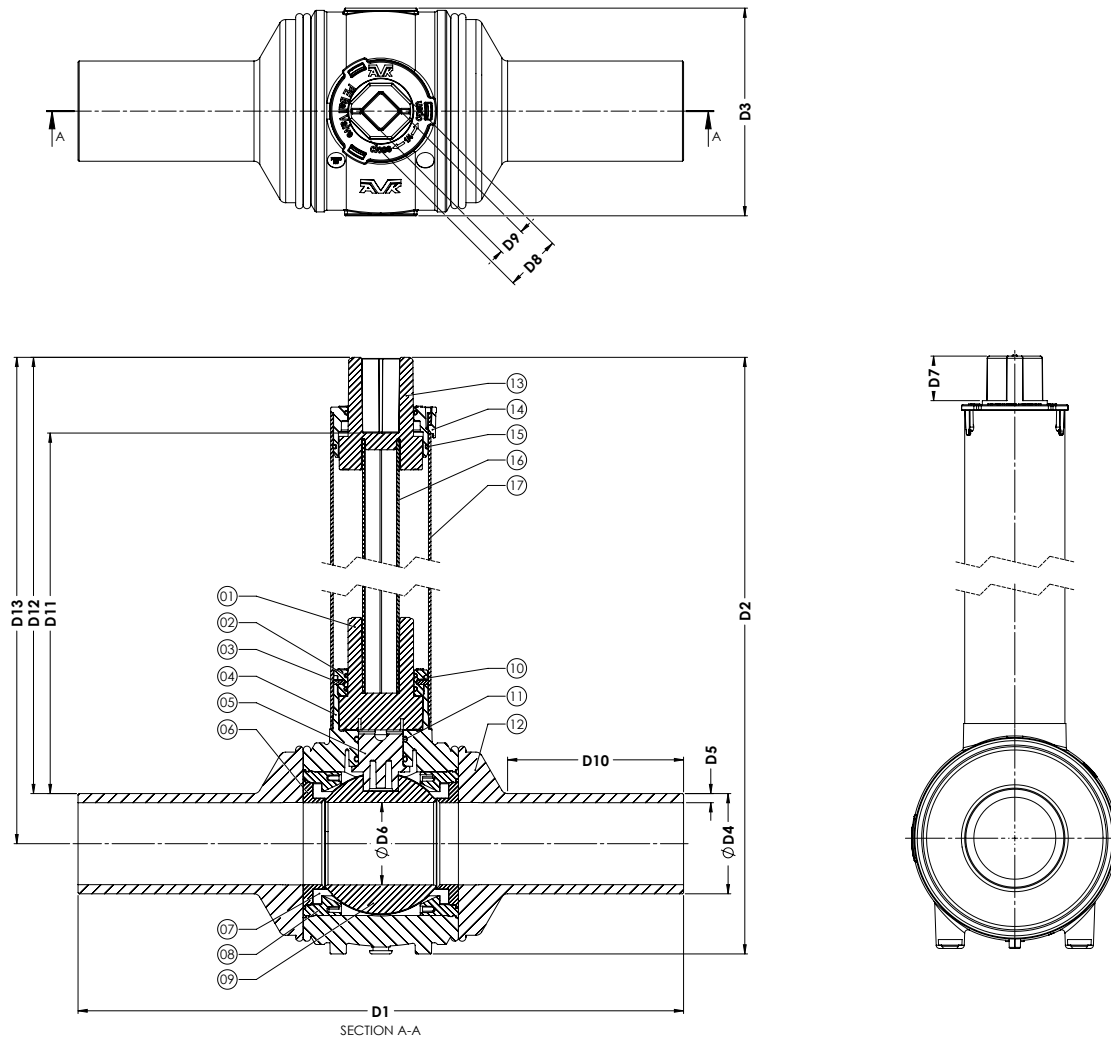
**Tests/Approvals (main valve)**

EN1555-4, ISO4437-4, GB15558.3 and EN12201-4



**AVK MAGNUS PE100 BALL VALVES**  
 Fusible ends / Minimum full bore on all body sizes  
 Valve sizes OD63 up to OD180

**85/50**  
**004**  
**HDPE/BV+SE**



**Component list**

1. Connector	PA-GF	10. Bearing ring	PA
2. O-ring	NBR-70	11. O-ring	NBR-70
3. Locking pin	PVC	12. Spigot	PE100-RC
4. Body	PE100-RC	13. Connector SE	PA-GF
5. Stem	POM	14. Bearing ring SE	PA
6. Support ring	PE100-RC	15. O-ring	NBR-70
7. Ball seat	NBR-70	16. Profile	Galvanized steel
8. Seat retainer	PE100-RC	17. Extension pipe	PE100
9. Ball	POM		

**Reference nos. and dimensions**

AVK ref. nos.	Valve size mm	D1 mm SSL/DSL*	D2 mm	D3 mm	D4 mm	D5 mm	D6 mm	D7 mm	D8 mm	D9 mm	D10 mm SSL/DSL*	D11 mm	D12 mm	D13 mm	Theoretical weight (Kg.) SSL/DSL*
85-063-50XXX	OD63/DN50	315 / 440	810	140	63	5.8	50	40	49.6 x 49.6	25.5	65 / 130	635	700	730	3.9 / 3.9
85-090-50XXX	OD90/DN80	385 / 545	855	185	90	8.2	74	40	49.6 x 49.6	25.5	79 / 158	645	710	755	6.1 / 6.4
85-110-50XXX	OD110/DN100	420 / 585	875	205	110	10.0	86	40	49.6 x 49.6	25.5	84 / 165	645	710	765	7.5 / 8.2
85-125-50XXX	OD125/DN100	420 / 595	875	205	125	11.4	86	40	49.6 x 49.6	25.5	89 / 176	635	705	765	7.9 / 8.6
85-160-50XXX	OD160/DN150	515 / 710	1045	285	160	14.6	120	40	49.6 x 49.6	25.5	100 / 196	750	815	895	17.3 / 18.4
85-180-50XXX	OD180/DN150	515 / 725	1045	285	180	16.4	120	40	49.6 x 49.6	25.5	105 / 210	740	805	895	17.7 / 19.4

\*Single spigot length / double spigot length