



AVK MAGNUS PE100 BALL VALVES
Fusible ends / Minimum full bore on all body sizes
Valve sizes OD25 up to OD180

85/50
010
HDPE/BV

The AVK MAGNUS universal ball valve is for use in the isolation of water & gas on domestic, commercial and industrial premises. The ends are designed for butt-/electro-fusion making the valve an integral part of the fully welded leak-free pipe system.
The valve is designed, manufactured and approved to worldwide leading standards.

Features

- Robust design, suitable for most harsh environments
- Material selection body and spigot (PE100-RC) offering excellent resistance to crack propagation
- Seat, ball and grease combination ensuring low operating torques and avoids sticking over time
- Selected ball material offering good scratch resistance
- Grease with minimal wearing off from the lubricated surfaces for improved long term performance
- Available with double spigot length allowing for 2 electrofusion joints
- Traccoding (barcode) + AVIT (QR code) - asset management to record, track and identify where valves are located and ensure traceability at all times
- Seat compression of large sealing surfaces precisely set via separate pre-assembly
- Flexible spindle shaft to ensure equal compression around the O-rings when loaded by internal pressure
- Operating lever for all sizes (OD25-OD180)

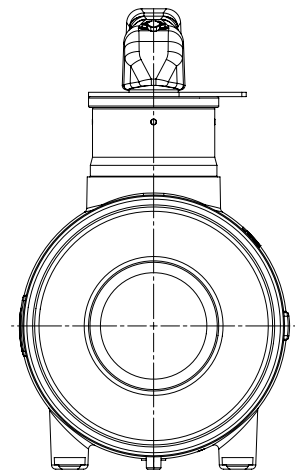
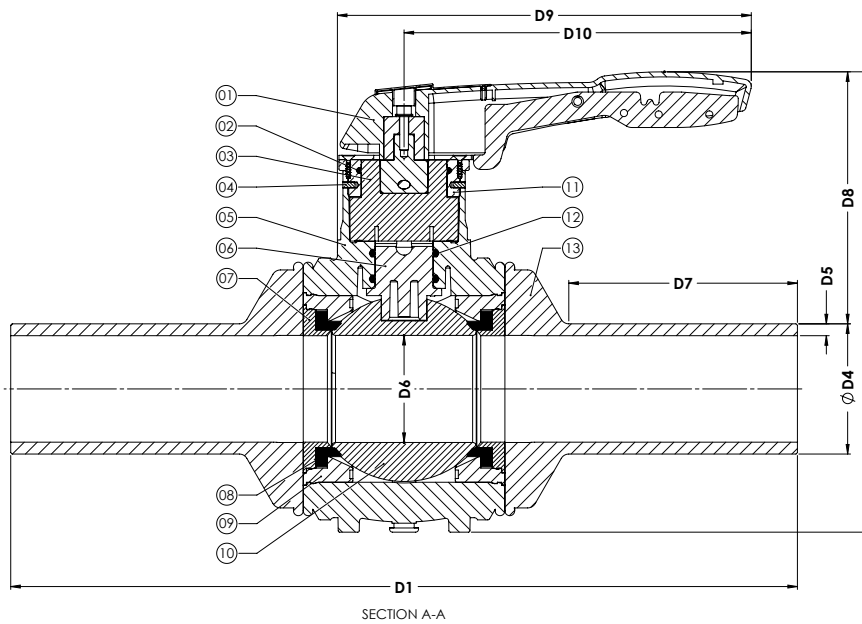
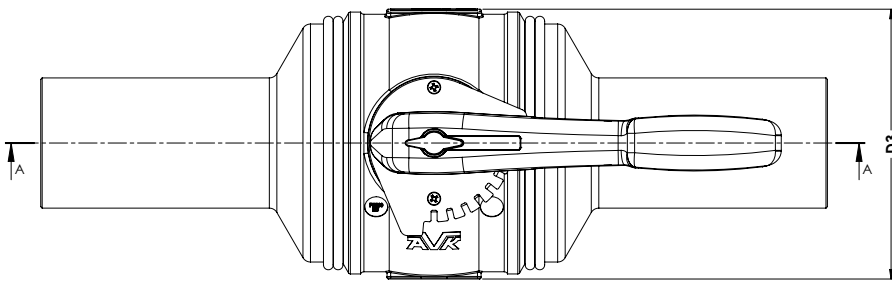
Tests/Approvals

EN1555-4, ISO4437-4, GB15558.3 and EN12201-4



AVK MAGNUS PE100 BALL VALVES
 Fusible ends / Minimum full bore on all body sizes
 Valve sizes OD25 up to OD180

85/50
010
HDPE/BV



Component list

1. Lever	Various materials	8. Ball seat	NBR-70
2. O-ring	NBR-70	9. Seat retainer	PE100-RC
3. Connector	PA-GF	10. Ball	POM
4. Locking pin	SS 316	11. Bearing ring	PA
5. Body	PE100-RC	12. O-ring	NBR-70
6. Stem	POM	13. Spigot	PE100-RC
7. Support ring	PE100-RC		

Reference nos. and dimensions

AVK ref. nos.	Valve size mm	D1 mm SSL/DSL*	D2 mm	D3 mm	D4 mm	D5 mm	D6 mm	D7 mm SSL/DSL*	D8 mm	D9 mm	D10 mm	Weight kg SSL/DSL*
85-025-50	OD25/DN25	230 / 310	205	90	25	3.0	25	44 / 84	140	230	195	1.2 / 1.3
85-032-50	OD32/DN25	230 / 320	205	90	32	3.0	25	46 / 90	140	230	195	1.2 / 1.3
85-040-50	OD40/DN32	240 / 340	220	100	40	3.7	32	49 / 98	140	230	195	1.4 / 1.4
85-050-50	OD50/DN40	255 / 365	235	115	50	4.6	40	56 / 111	145	230	195	1.6 / 1.7
85-063-50	OD63/DN50	315 / 440	270	140	63	5.8	50	65 / 130	165	286	240	3.0 / 3.1
85-090-50	OD90/DN80	385 / 545	320	185	90	8.2	74	79 / 158	175	286	240	5.1 / 5.4
85-110-50	OD110/DN100	420 / 585	335	205	110	10.0	86	84 / 165	170	286	240	6.9 / 7.4
85-125-50	OD125/DN100	420 / 595	335	205	125	11.4	86	89 / 176	165	286	240	7.1 / 7.8
85-160-50	OD160/DN150	515 / 710	405	285	160	14.6	120	100 / 196	210	450	390	16.5 / 17.4
85-180-50	OD180/DN150	515 / 725	405	285	180	16.4	120	105 / 210	205	450	390	16.6 / 18.5

*Single spigot length / double spigot length
 Above dimensions are subject to tolerances