



AVK MAGNUS PE100 BALL VALVES
Fusible ends / Minimum full bore on all body sizes
Valve sizes OD25 up to OD180

85/50
002
HDPE/BV

The AVK MAGNUS universal ball valve is for use in the isolation of water & gas on domestic, commercial and industrial premises. The ends are designed for butt-/electro-fusion making the valve an integral part of the fully welded leak-free pipe system.
The valve is designed, manufactured and approved to worldwide leading standards.

Features

- Robust design, suitable for most harsh environments
- Material selection body and spigot (PE100-RC) offering excellent resistance to crack propagation
- Seat, ball and grease combination ensuring low operating torques and avoids sticking over time
- Selected ball material offering good scratch resistance
- Grease with minimal wearing off from the lubricated surfaces for improved long term performance
- Easy mounting of all standardised spindles due to internal and external drive
- Overtorque protection and replaceable connector under live conditions
- Double spigot length allowing for two electrofusion joints
- Traccoding (barcode) + AVIT (QR code) - asset management to record, track and identify where valves are located and ensure traceability at all times
- Seat compression of large sealing surfaces precisely set via separate pre-assembly
- Flexible spindle shaft to ensure equal compression around the O-rings when loaded by internal pressure

Tests/Approvals

EN1555-4, ISO4437-4, GB15558.3 and EN12201-4

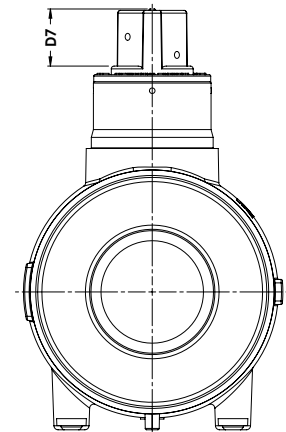
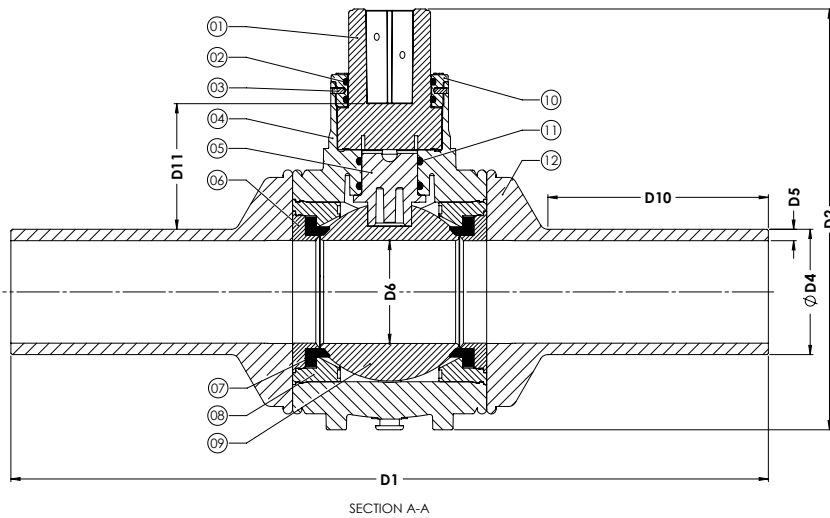
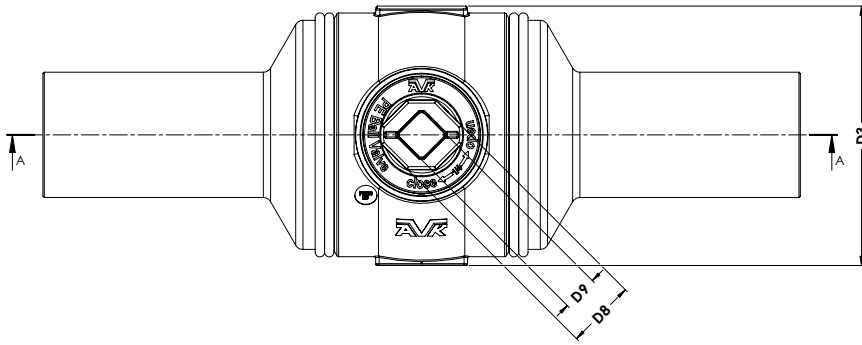
Accessories/Options

- Support base (up to OD90)
- Stem extension and purge points
- Lever



AVK MAGNUS PE100 BALL VALVES
 Fusible ends / Minimum full bore on all body sizes
 Valve sizes OD25 up to OD180

85/50
002
HDPE/BV



Component list

1. Connector	PA-GF	7. Ball seat	NBR-70
2. O-ring	NBR-70	8. Seat retainer	PE100-RC
3. Locking pin	PVC	9. Ball	POM
4. Body	PE100-RC	10. Bearing ring	PA
5. Stem	POM	11. O-ring	NBR-70
6. Support ring	PE100-RC	12. Spigot	PE100-RC

Reference nos. and dimensions

SDR	AVK ref. nos.	Valve size mm	D1 mm	D2 mm	D3 mm	D4 mm	D5 mm	D6 mm	D7 mm	D8 mm	D9 mm	D10 mm	D11 mm	Weight kg
11	85-025-5022204015	OD25/DN25	310	190	90	25	3.0	25	35	49.6*	20.5	84	65	0.9
11	85-032-5012204015	OD32/DN25	320	190	90	32	3.0	25	35	49.6*	20.5	90	62	0.9
11	85-040-5012204015	OD40/DN32	340	205	100	40	3.7	32	35	49.6*	20.5	98	65	1.1
11	85-050-5012204015	OD50/DN40	365	220	115	50	4.6	40	35	49.6*	20.5	111	65	1.4
11	85-063-5012204005	OD63/DN50	440	255	140	63	5.8	50	40	49.6	25.5	128	80	2.5
11	85-090-5022204005	OD90/DN80	545	300	185	90	8.2	74	40	49.6	25.5	158	90	5.0
11	85-110-5012204005	OD110/DN100	585	320	205	110	10.0	86	40	49.6	25.5	165	90	6.7
11	85-125-5012204005	OD125/DN100	595	320	205	125	11.4	86	40	49.6	25.5	176	80	7.2
11	85-160-5012204005	OD160/DN150	710	405	285	160	14.6	120	40	49.6	25.5	196	105	16.3
11	85-180-5012204005	OD180/DN150	725	405	285	180	16.4	120	40	49.6	25.5	210	95	17.3
17	85-090-5012904005	OD90/DN80	545	300	185	90	5.4	74	40	49.6	25.5	158	90	4.9
17	85-110-5012904005	OD110/DN100	585	320	205	110	6.6	86	40	49.6	25.5	165	90	6.5
17	85-125-5002904005	OD125/DN100	595	320	205	125	7.4	86	40	49.6	25.5	176	80	7.0
17	85-160-5012904005	OD160/DN150	710	405	285	160	9.5	120	40	49.6	25.5	196	105	16.0
17	85-180-5002904005	OD180/DN150	725	405	285	180	10.7	120	40	49.6	25.5	210	95	17.0
17.6	85-090-5012704005	OD90/DN80	545	300	185	90	5.2	74	40	49.6	25.5	158	90	4.9
17.6	85-110-5012704005	OD110/DN100	585	320	205	110	6.3	86	40	49.6	25.5	165	90	6.5
17.6	85-125-5002704005	OD125/DN100	595	320	205	125	7.1	86	40	49.6	25.5	176	80	7.0
17.6	85-160-5012704005	OD160/DN150	710	405	285	160	9.1	120	40	49.6	25.5	196	105	16.0
17.6	85-180-5002704005	OD180/DN150	725	405	285	180	10.3	120	40	49.6	25.5	210	95	17.0

*Provided with EN1555-4 adaptor
 Above dimensions are subject to tolerances