



**AVK MAGNUS PE100 BALL VALVES**  
Fusible ends / Minimum full bore on all body sizes  
Valve sizes OD25 up to OD180

**85/50**  
**010**  
**HDPE/BV**

The AVK MAGNUS universal ball valve is for use in the isolation of water & gas on domestic, commercial and industrial premises. The ends are designed for butt-/electro-fusion making the valve an integral part of the fully welded leak-free pipe system.  
The valve is designed, manufactured and approved to worldwide leading standards.

**Features**

- Robust design, suitable for most harsh environments
- Material selection body and spigot (PE100-RC) offering excellent resistance to crack propagation
- Seat, ball and grease combination ensuring low operating torques and avoids sticking over time
- Selected ball material offering good scratch resistance
- Grease with minimal wearing off from the lubricated surfaces for improved long term performance
- Double spigot length allowing for two electrofusion joints
- Traccoding (barcode) + AVIT (QR code) - asset management to record, track and identify where valves are located and ensure traceability at all times
- Seat compression of large sealing surfaces precisely set via separate pre-assembly
- Flexible spindle shaft to ensure equal compression around the O-rings when loaded by internal pressure
- Operating lever for all sizes (OD25-OD180)

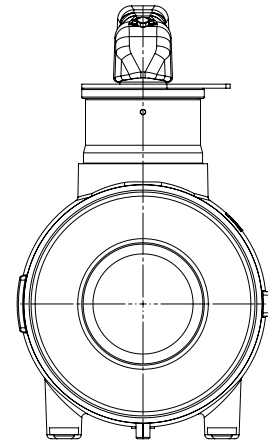
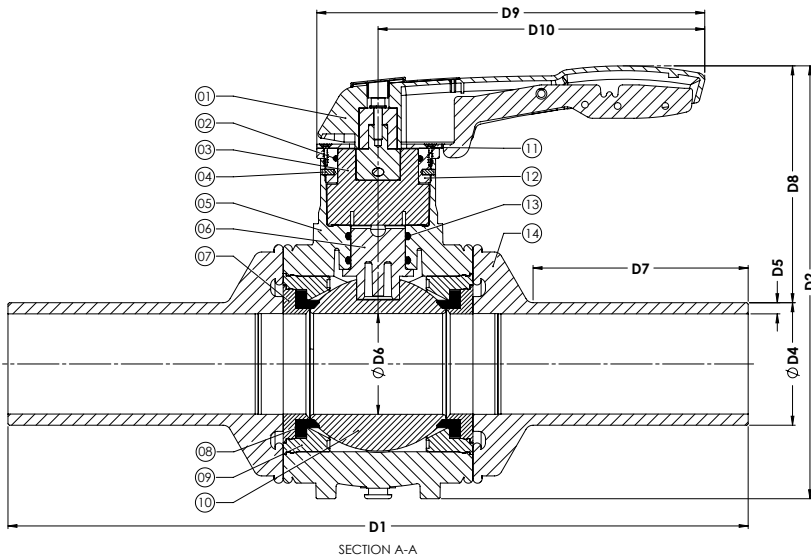
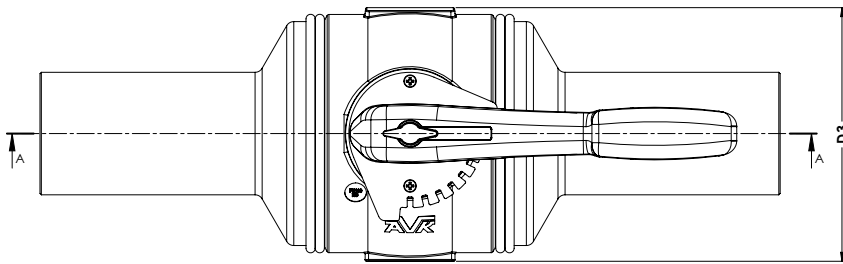
**Tests/Approvals**

EN1555-4, ISO4437-4, GB15558.3 and EN12201-4



**AVK MAGNUS PE100 BALL VALVES**  
 Fusible ends / Minimum full bore on all body sizes  
 Valve sizes OD25 up to OD180

**85/50**  
**010**  
**HDPE/BV**



**Component list**

|                 |                   |                  |                  |
|-----------------|-------------------|------------------|------------------|
| 1. Lever        | Various materials | 8. Ball seat     | NBR-70           |
| 2. O-ring       | NBR-70            | 9. Seat retainer | PE100-RC         |
| 3. Connector    | PA-GF             | 10. Ball         | POM              |
| 4. Locking pin  | AISI 316          | 11. PT screw     | Galvanized steel |
| 5. Body         | PE100-RC          | 12. Bearing ring | PA               |
| 6. Stem         | POM               | 13. O-ring       | NBR-70           |
| 7. Support ring | PE100-RC          | 14. Spigot       | PE100-RC         |

**Reference nos. and dimensions**

| SDR  | AVK ref. nos.       | Valve size<br>mm | D1<br>mm | D2<br>mm | D3<br>mm | D4<br>mm | D5<br>mm | D6<br>mm | D7<br>mm | D8<br>mm | D9<br>mm | D10<br>mm | Weight<br>kg |
|------|---------------------|------------------|----------|----------|----------|----------|----------|----------|----------|----------|----------|-----------|--------------|
| 11   | 85-025-502220408530 | OD25/DN25        | 310      | 205      | 90       | 25       | 3.0      | 25       | 84       | 140      | 230      | 195       | 1.3          |
| 11   | 85-032-501220408530 | OD32/DN25        | 320      | 205      | 90       | 32       | 3.0      | 25       | 90       | 140      | 230      | 195       | 1.3          |
| 11   | 85-040-501220408530 | OD40/DN32        | 340      | 220      | 100      | 40       | 3.7      | 32       | 98       | 140      | 230      | 195       | 1.4          |
| 11   | 85-050-501220408530 | OD50/DN40        | 365      | 235      | 115      | 50       | 4.6      | 40       | 111      | 145      | 230      | 195       | 1.7          |
| 11   | 85-063-501220409531 | OD63/DN50        | 440      | 270      | 140      | 63       | 5.8      | 50       | 128      | 165      | 286      | 240       | 3.1          |
| 11   | 85-090-502220409531 | OD90/DN80        | 545      | 320      | 185      | 90       | 8.2      | 74       | 158      | 175      | 286      | 240       | 5.4          |
| 11   | 85-110-501220409531 | OD110/DN100      | 585      | 335      | 205      | 110      | 10.0     | 86       | 165      | 170      | 286      | 240       | 7.4          |
| 11   | 85-125-501220409531 | OD125/DN100      | 595      | 335      | 205      | 125      | 11.4     | 86       | 176      | 165      | 286      | 240       | 7.8          |
| 11   | 85-160-501220410532 | OD160/DN150      | 710      | 420      | 285      | 160      | 14.6     | 120      | 196      | 210      | 450      | 390       | 17.4         |
| 11   | 85-180-501220410532 | OD180/DN150      | 725      | 420      | 285      | 180      | 16.4     | 120      | 210      | 205      | 450      | 390       | 18.5         |
| 17.6 | 85-090-501270409531 | OD90/DN80        | 545      | 320      | 185      | 90       | 5.2      | 74       | 158      | 175      | 286      | 240       | 5.3          |
| 17.6 | 85-110-501270409531 | OD110/DN100      | 585      | 335      | 205      | 110      | 6.3      | 86       | 165      | 170      | 286      | 240       | 7.2          |
| 17.6 | 85-125-500270409531 | OD125/DN100      | 595      | 335      | 205      | 125      | 7.1      | 86       | 176      | 165      | 286      | 240       | 7.6          |
| 17.6 | 85-160-501270410532 | OD160/DN150      | 710      | 420      | 285      | 160      | 9.1      | 120      | 196      | 210      | 450      | 390       | 17.1         |
| 17.6 | 85-180-500270410532 | OD180/DN150      | 725      | 420      | 285      | 180      | 10.3     | 120      | 210      | 205      | 450      | 390       | 18.2         |

Above dimensions are subject to tolerances