



## AVK SUPPORT BASE

### Type 1

Suitable for CERTUS valves OD25/32/63

85/XX

PE100/SB

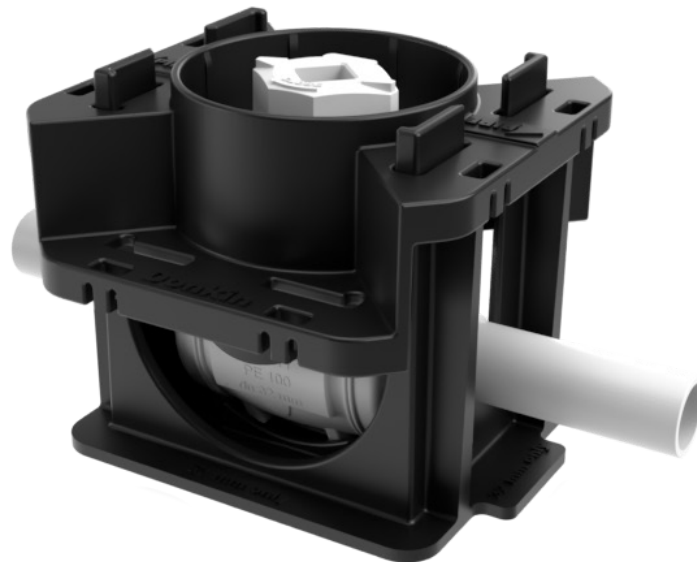
AVK support bases provide support to PE100 ball valves in the isolation of gas services to domestic, commercial and industrial premises. The robust support base is designed and manufactured to withstand the most harsh environments.

#### Features

- Robust support base avoids twisting of the pipe and offers stability
- Material absorbs high loads
- Clever design centres down pipe on top of the valve ensuring valve operation at all times
- Large bottom surface increases support in weak soils
- 100% recyclable

#### Accessories/Options

- Down pipe
- Surface box adaptor
- Surface box



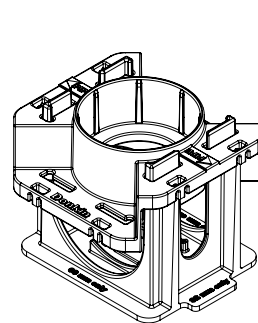
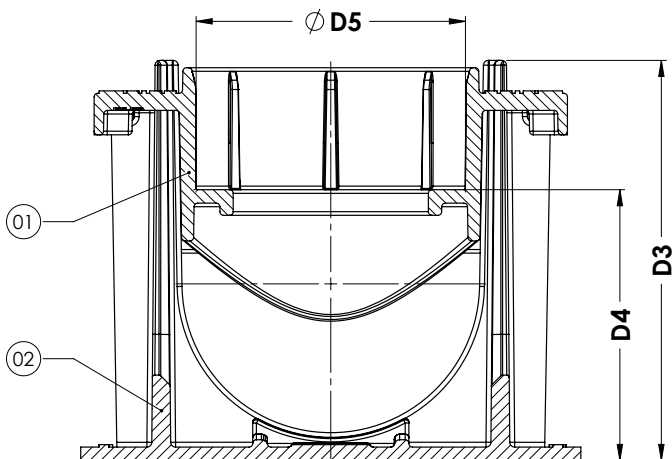
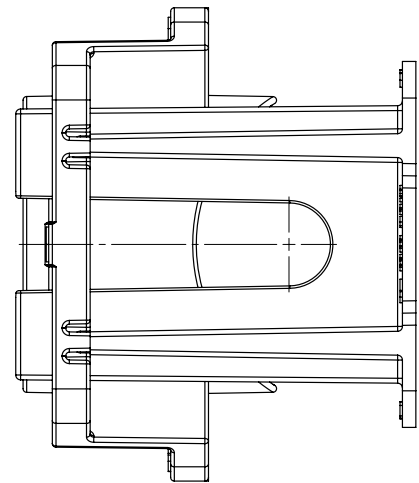
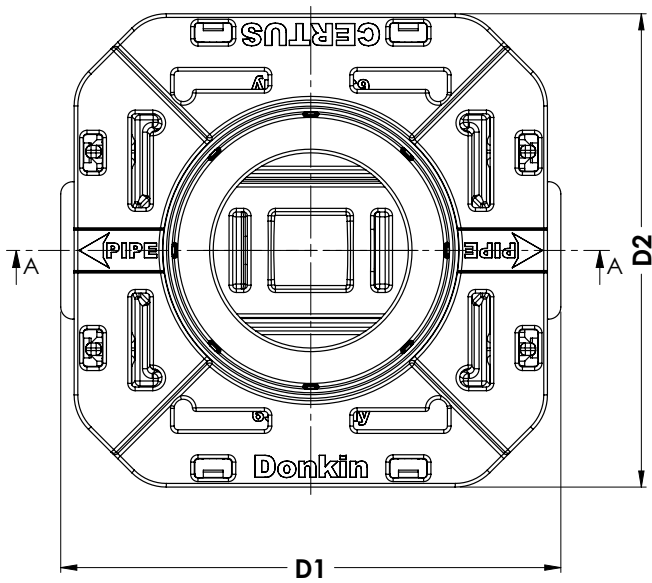
# AVK SUPPORT BASE

Type 1

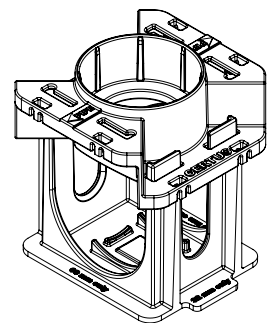
Suitable for CERTUS valves OD25/32/63

85/XX

PE100/SB



Setup for CERTUS OD20/OD32



Setup for CERTUS OD63

## Component list

1. Base	PE100
2. Hood	PE100

## Reference nos. and dimensions

Valve size mm	D1 mm	D2 mm	D3 mm	D4 mm	D5 mm	Weight kg
OD20/DN25	205	195	165	110	110	0.8
OD32/DN25	205	195	165	110	110	0.8
OD63/DN50	205	195	210	160	110	0.8

Above dimensions are subject to tolerances