



**AVK MAGNUS PE100 BALL VALVES**  
Fusible ends / Minimum full bore on all body sizes  
Valve sizes OD63 up to OD180

**85/50**  
**004**  
**HDPE/BV+SE**

The AVK MAGNUS universal ball valve is for use in the isolation of water & gas on domestic, commercial and industrial premises. The ends are designed for butt-/electro-fusion making the valve an integral part of the fully welded leak-free pipe system.  
The valve is designed, manufactured and approved to worldwide leading standards.

**Features**

- Robust design, suitable for most harsh environments
- Body and spigots made of PE100 black material
- Seat, ball and grease combination ensuring low operating torques and avoids sticking over time
- Selected ball material offering good scratch resistance
- Grease with minimal wearing off from the lubricated surfaces for improved long term performance
- With stem extension
- White bearing ring for easy identification universal valve
- ASSIST (QR code) asset management to record, track and identify where valves are located and ensure traceability at all times
- Seat compression of large sealing surfaces precisely set via separate pre-assembly
- Flexible spindle shaft to ensure equal compression around the O-rings when loaded by internal pressure
- Fully automated socket welding of stem extension for optimal reliability

**Tests/Approvals**

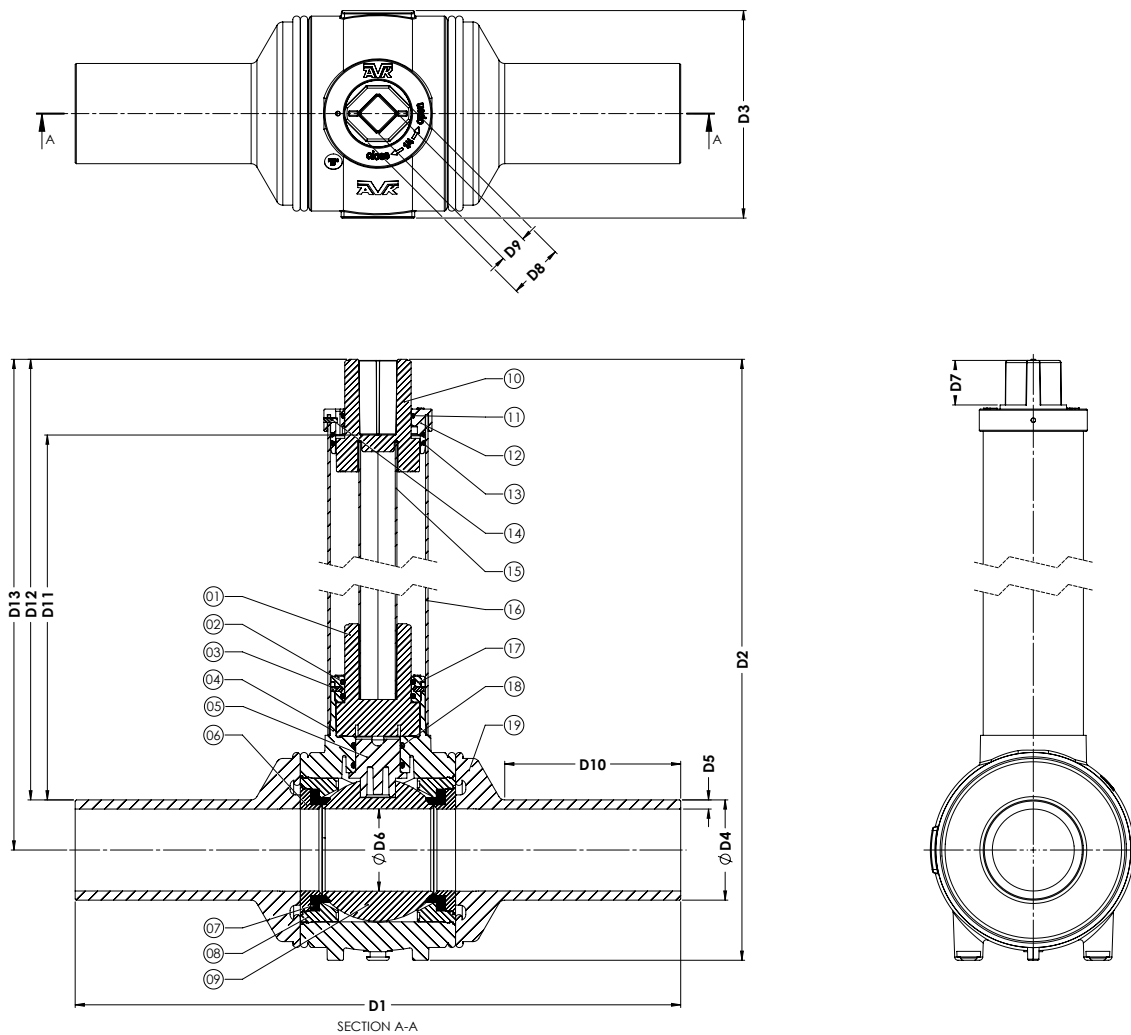
EN1555-4, ISO4437-4, GB15558.3 and EN12201-4



Expect... **AVR**

**AVK MAGNUS PE100 BALL VALVES**  
 Fusible ends / Minimum full bore on all body sizes  
 Valve sizes OD63 up to OD180

**85/50**  
**004**  
**HDPE/BV+SE**



**Component list**

1. Connector	PA-GF	11. O-ring	NBR-70
2. O-ring	NBR-70	12. Bearing ring SE	PA
3. Locking pin	PVC	13. O-ring	NBR-70
4. Body	PE100	14. Locking pin	PVC
5. Stem	POM	15. Profile	Stainless steel
6. Support ring	PE100	16. Extension pipe	PE100
7. Ball seat	NBR-70	17. Bearing ring	PA
8. Seat retainer	PE100	18. O-ring	NBR-70
9. Ball	POM	19. Spigot	PE100
10. Connector SE	PA-GF		

**Reference nos. and dimensions**

SDR	AVK ref. nos.	Valve size mm	D1 mm	D2 mm	D3 mm	D4 mm	D5 mm	D6 mm	D7 mm	D8 mm	D9 mm	D10 mm	D11 mm	D12 mm	D13 mm	Weight kg
11	85-063-501520400520	OD63/DN50	440	810	140	63	5.8	50	40	49.5	25.5	128	635	700	730	3.9
11	85-090-502520400520	OD90/DN80	545	855	185	90	8.2	74	40	49.5	25.5	158	645	710	755	6.4
11	85-110-501520400520	OD110/DN100	585	875	210	110	10.0	86	40	49.5	25.5	165	645	710	765	8.2
11	85-125-501520400520	OD125/DN100	595	875	210	125	11.4	86	40	49.5	25.5	176	635	705	765	8.6
11	85-160-501520400520	OD160/DN150	710	1045	285	160	14.6	120	40	49.5	25.5	196	750	815	895	18.4
11	85-180-501520400520	OD180/DN150	725	1045	285	180	16.4	120	40	49.5	25.5	210	740	805	895	19.4
17.6	85-090-501570400520	OD90/DN80	545	855	185	90	5.2	74	40	49.5	25.5	158	645	710	755	6.3
17.6	85-110-501570400520	OD110/DN100	585	875	210	110	6.3	86	40	49.5	25.5	165	645	710	765	8.0
17.6	85-125-500570400520	OD125/DN100	595	875	210	125	7.1	86	40	49.5	25.5	176	635	705	765	8.4
17.6	85-160-501570400520	OD160/DN150	710	1045	285	160	9.1	120	40	49.5	25.5	196	750	815	895	18.1
17.6	85-180-500570400520	OD180/DN150	725	1045	285	180	10.3	120	40	49.5	25.5	210	740	805	895	19.1

Above dimensions are subject to tolerances

The designs, materials and specifications shown are subject to change without notice due to the continuous development of our product programme.