



AVK MAGNUS PE100 BALL VALVES

Fusible ends / Minimum full bore on all body sizes

Valve sizes OD25 up to OD180

85/50

010

HDPE/BV

The AVK MAGNUS universal ball valve is for use in the isolation of water & gas on domestic, commercial and industrial premises. The ends are designed for butt-/electro-fusion making the valve an integral part of the fully welded leak-free pipe system.

The valve is designed, manufactured and approved to worldwide leading standards.

Features

- Robust design, suitable for most harsh environments
- Seat, ball and grease combination ensuring low operating torques and avoids sticking over time
- Selected ball material offering good scratch resistance
- Grease with minimal wearing off from the lubricated surfaces for improved long term performance
- Double spigot length allowing for two electrofusion joints
- ASSIST (QR code) asset management to record, track and identify where valves are located and ensure traceability at all times
- Seat compression of large sealing surfaces precisely set via separate pre-assembly
- Flexible spindle shaft to ensure equal compression around the O-rings when loaded by internal pressure
- Operating lever for all sizes (OD25-OD180)

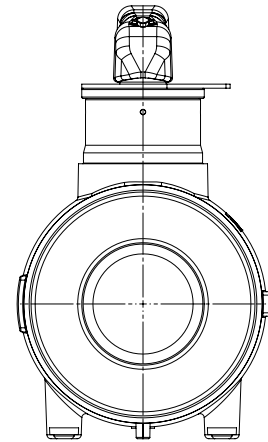
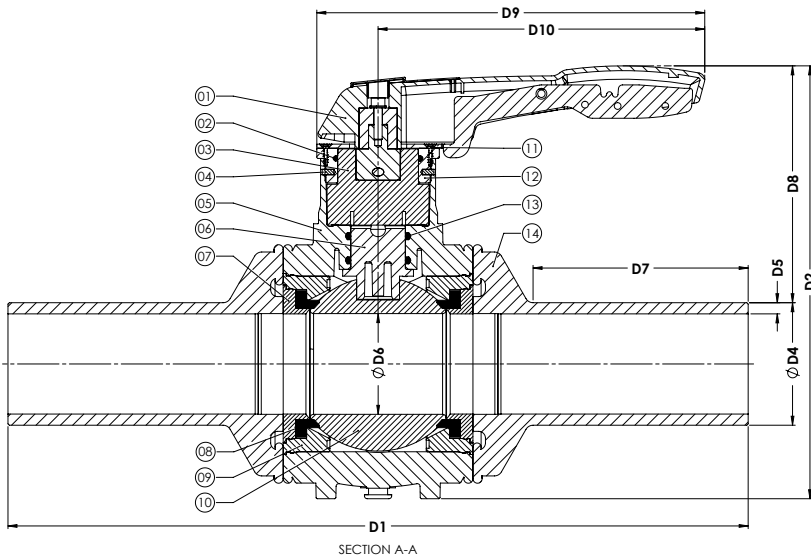
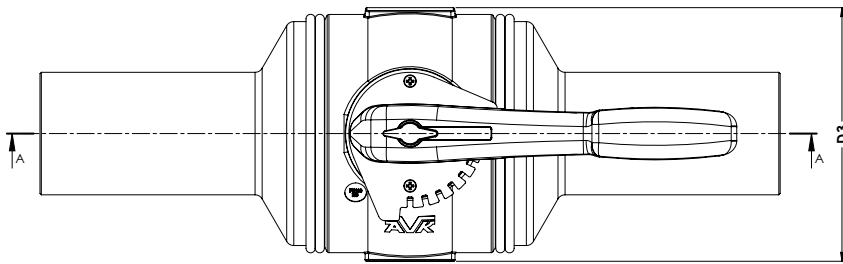
Tests/Approvals

EN1555-4, ISO4437-4, GB15558.3 and EN12201-4



AVK MAGNUS PE100 BALL VALVES
 Fusible ends / Minimum full bore on all body sizes
 Valve sizes OD25 up to OD180

85/50
010
HDPE/BV



Component list

1. Lever	Various materials	8. Ball seat	NBR-70
2. O-ring	NBR-70	9. Seat retainer	PE100
3. Connector	PA-GF	10. Ball	POM
4. Locking pin	AISI 316	11. PT screw	Galvanized steel
5. Body	PE100	12. Bearing ring	PA
6. Stem	POM	13. O-ring	NBR-70
7. Support ring	PE100	14. Spigot	PE100

Reference nos. and dimensions

SDR	AVK ref. nos.	Valve size mm	D1 mm	D2 mm	D3 mm	D4 mm	D5 mm	D6 mm	D7 mm	D8 mm	D9 mm	D10 mm	Weight kg
11	85-025-502520401530	OD25/DN25	310	205	90	25	3.0	25	84	140	230	195	1.3
11	85-032-501520401530	OD32/DN25	320	205	90	32	3.0	25	90	140	230	195	1.3
11	85-040-501520401530	OD40/DN32	340	220	100	40	3.7	32	98	140	230	195	1.4
11	85-050-501520401530	OD50/DN40	365	235	115	50	4.6	40	111	145	230	195	1.7
11	85-063-501520400531	OD63/DN50	440	270	140	63	5.8	50	128	165	286	240	3.1
11	85-090-502520400531	OD90/DN80	545	320	185	90	8.2	74	158	175	286	240	5.4
11	85-110-501520400531	OD110/DN100	585	335	205	110	10.0	86	165	170	286	240	7.4
11	85-125-501520400531	OD125/DN100	595	335	205	125	11.4	86	176	165	286	240	7.8
11	85-160-501520400532	OD160/DN150	710	420	285	160	14.6	120	196	210	450	390	17.4
11	85-180-501520400532	OD180/DN150	725	420	285	180	16.4	120	210	205	450	390	18.5
17.6	85-090-501570400531	OD90/DN80	545	320	185	90	5.2	74	158	175	286	240	5.3
17.6	85-110-501570400531	OD110/DN100	585	335	205	110	6.3	86	165	170	286	240	7.2
17.6	85-125-500570400531	OD125/DN100	595	335	205	125	7.1	86	176	165	286	240	7.6
17.6	85-160-501570400532	OD160/DN150	710	420	285	160	9.1	120	196	210	450	390	17.1
17.6	85-180-500570400532	OD180/DN150	725	420	285	180	10.3	120	210	205	450	390	18.2

Above dimensions are subject to tolerances